

2



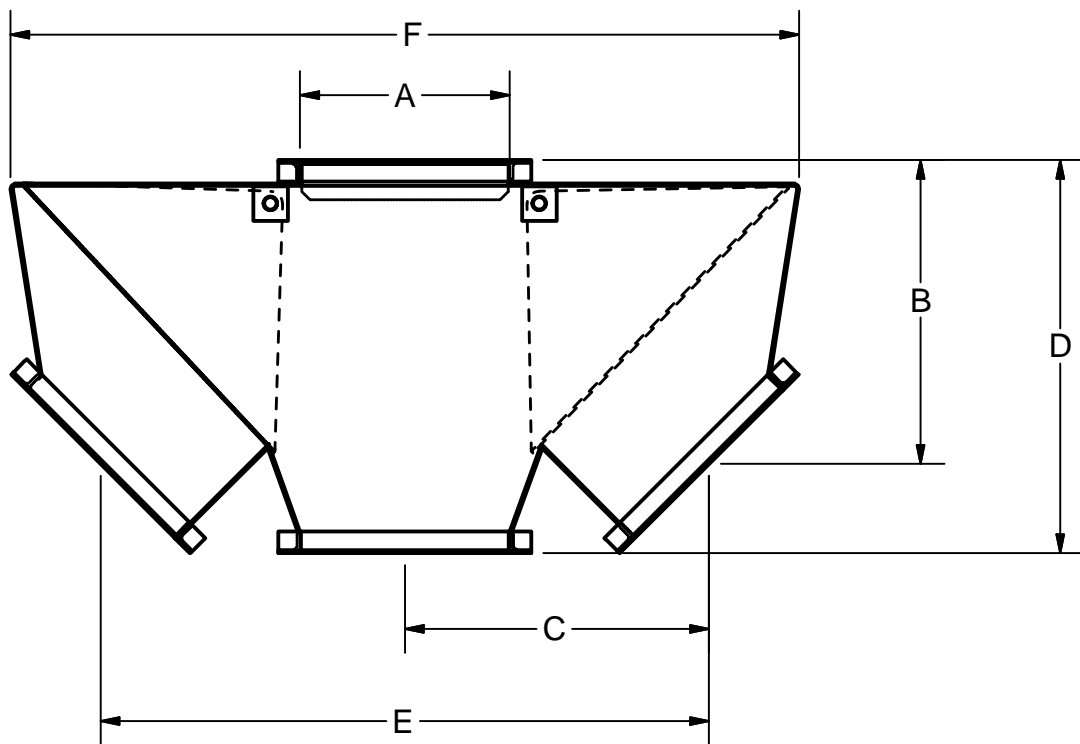
1

\*ALL UNITS IN INCHES\*

SIZE	A	B	C	D	E	F
6	6 1/8	12 1/2	11 1/4	15 1/2	22 1/2	27 3/8
8	8 1/8	14 1/4	13 3/8	18	26 3/4	33 1/2
10	10 1/8	15 7/8	15 1/2	20 3/8	31	39 5/8

NOTE:

1. STANDARD VALVES ARE 10GA.



PAN VALVE 3-WAY 45°

2



1