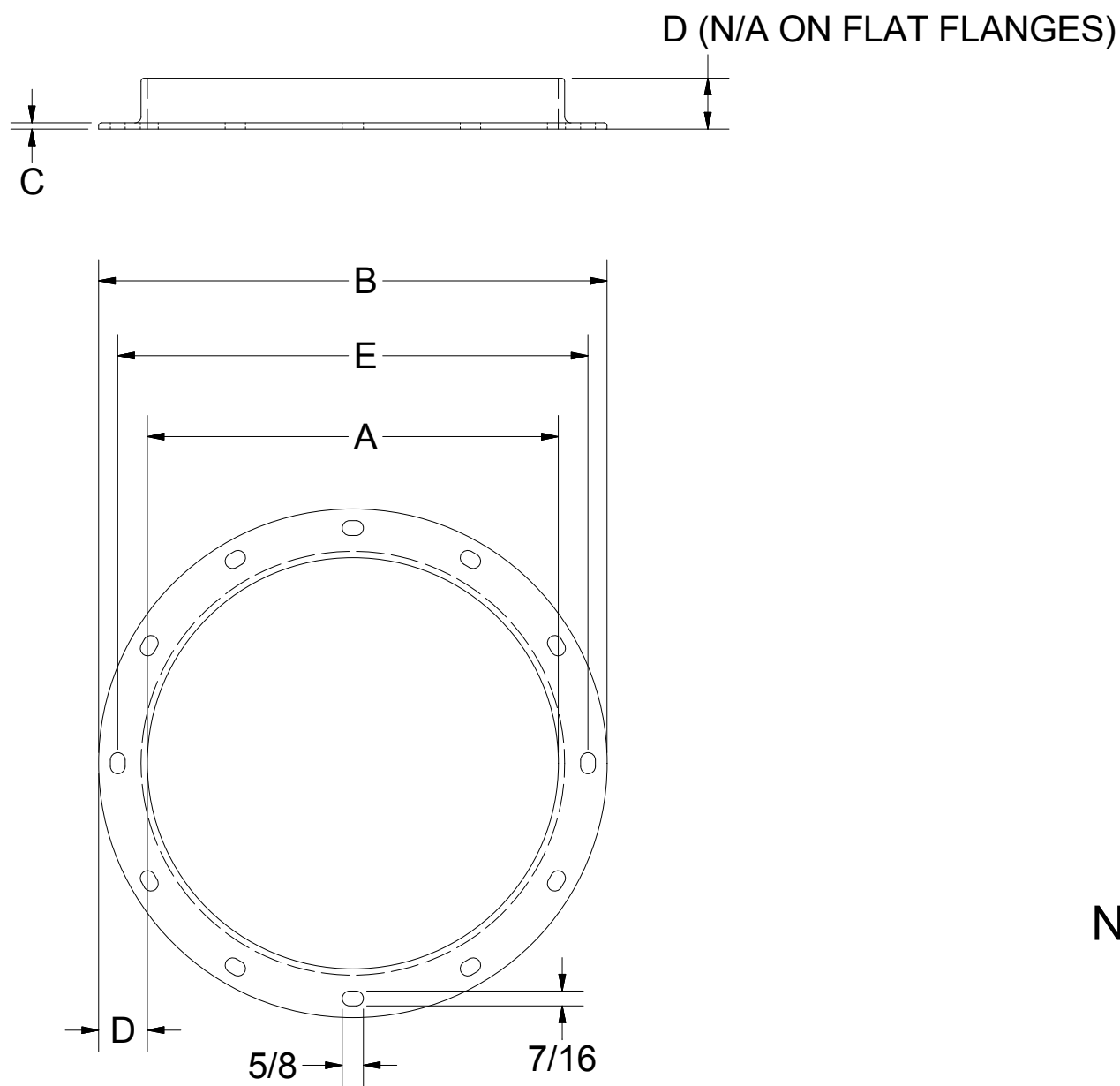


ALL DIMENSIONS IN INCHES

SIZE	TYPE	"A"	"B"	"C"	"D"	"E"	"F"	P/N
4	FLAT	4 1/16	6 1/8	1/8	1	5 3/8	6	-
4	ANGLE	4 1/32	6 1/8	1/8	1	5 3/8	6	515001
6	FLAT	6 1/8	8 5/8	3/16	1 1/4	7 5/8	6	515085
6	ANGLE	6 1/32	8 5/8	1/8	1 1/4	7 5/8	6	515004
6 5/8	ANGLE	6 21/32	9 1/4	3/16	1 1/4	8 1/4	6	515005
8	L ANGLE	8 1/32	10 5/8	1/8	1 1/4	9 5/8	8	515009
8	H ANGLE	8 1/32	10 5/8	3/16	1 1/4	9 5/8	8	515011
8	FLAT	8 1/8	10 5/8	3/16	1 1/4	9 5/8	8	515089
8 5/8	ANGLE	8 21/32	11 1/4	3/16	1 1/4	10 1/4	8	515014
10	L ANGLE	10 1/16	12 5/8	1/8	1 1/4	11 5/8	8	515021
10	H ANGLE	10 1/16	12 5/8	3/16	1 1/4	11 5/8	8	515024
10	FLAT	10 5/32	12 5/8	3/16	1 1/4	11 5/8	8	515093
10 3/4	ANGLE	10 13/16	13 7/8	3/16	1 1/2	12 5/8	8	515028
12	ANGLE	12 3/32	15 1/8	3/16	1 1/2	13 7/8	12	515033
12	FLAT	12 3/16	15 1/8	3/16	1 1/2	13 7/8	12	515103
12 3/4	ANGLE	12 27/32	15 7/8	3/16	1 1/2	14 5/8	12	515036
14	ANGLE	14 3/32	17 1/8	3/16	1 1/2	15 7/8	12	515043
14	FLAT	14 3/16	17 1/8	3/16	1 1/2	15 7/8	12	515107
16	L ANGLE	16 3/32	19 1/8	3/16	1 1/2	18 1/8	16	515048
16	H ANGLE	16 3/32	19 5/8	3/16	1 3/4	18 1/8	16	515047
16	L FLAT	16 3/16	19 1/8	3/16	1 1/2	18 1/8	16	515110
16	H FLAT	16 3/16	19 5/8	3/16	1 3/4	18 1/8	16	515111
18	L ANGLE	18 3/32	21 1/8	3/16	1 1/2	20 1/8	16	515052
18	H ANGLE	18 3/32	21 5/8	3/16	1 3/4	20 1/8	16	515051
18	L FLAT	18 7/32	21 1/8	3/16	1 1/2	20 1/8	16	515112
18	H FLAT	18 7/32	21 5/8	3/16	1 3/4	20 1/8	16	515113
20	L ANGLE	20 3/32	23 1/8	3/16	1 1/2	22 1/8	20	515056
20	H ANGLE	20 3/32	23 5/8	3/16	1 3/4	22 1/8	20	515055
20	FLAT	20 7/32	23 1/8	3/16	1 1/2	22 1/8	20	515115
22	L ANGLE	22 3/32	25 1/8	3/16	1 1/2	24 1/8	20	515061
22	H ANGLE	22 3/32	25 5/8	3/16	1 3/4	24 1/8	20	515060
24	L ANGLE	24 3/32	27 1/8	3/16	1 1/2	26 1/8	20	515065
24	H ANGLE	24 3/32	27 5/8	3/16	1 3/4	26 1/8	20	515064
24	FLAT	24 9/32	27 1/8	3/16	1 1/2	26 1/8	20	515116
26	H ANGLE	26 1/8	29 5/8	3/16	1 3/4	28 1/8	24	-
28	H ANGLE	28 1/8	31 5/8	3/16	1 3/4	30 1/8	24	-
30	H ANGLE	30 1/8	33 5/8	3/16	1 3/4	32 1/8	28	-
32	H ANGLE	32 1/8	36 1/8	1/4	2	34 3/8	28	-
34	H ANGLE	34 1/8	38 1/8	1/4	2	36 3/8	32	-
36	H ANGLE	36 1/8	40 1/8	1/4	2	38 3/8	32	-
38	H ANGLE	38 1/8	42 1/8	1/4	2	40 3/8	36	-
40	H ANGLE	40 1/8	44 1/8	1/4	2	42 3/8	36	-



- A - I.D. OF FLANGE
- B - O.D. OF FLANGE
- C - THICKNESS
- D - FLANGE WIDTH
- E - BOLT CENTER
- F - TOTAL # OF HOLES IN FLANGE

NOTE:

1. ODD SIZE I.D. AVAILABLE UPON REQUEST
2. SPECIAL HOLE SIZES AND SPACING AVAILABLE UPON REQUEST
3. H = HEAVY
4. L = LIGHT



THIS DRAWING AND THE IDEAS CONTAINED THEREON ARE THE PROPERTY OF CUSTOM METAL FABRICATORS INC. HERINGTON KS 67449 785-258-3744, AND SHALL NOT BE USED WITHOUT PERMISSION. © 5/16/2012

TITLE

RD FLANGE STANDARD LAYOUT

DWG NO rd_flange

SHT 1 OF 1

DRAWN
chris

REV 2