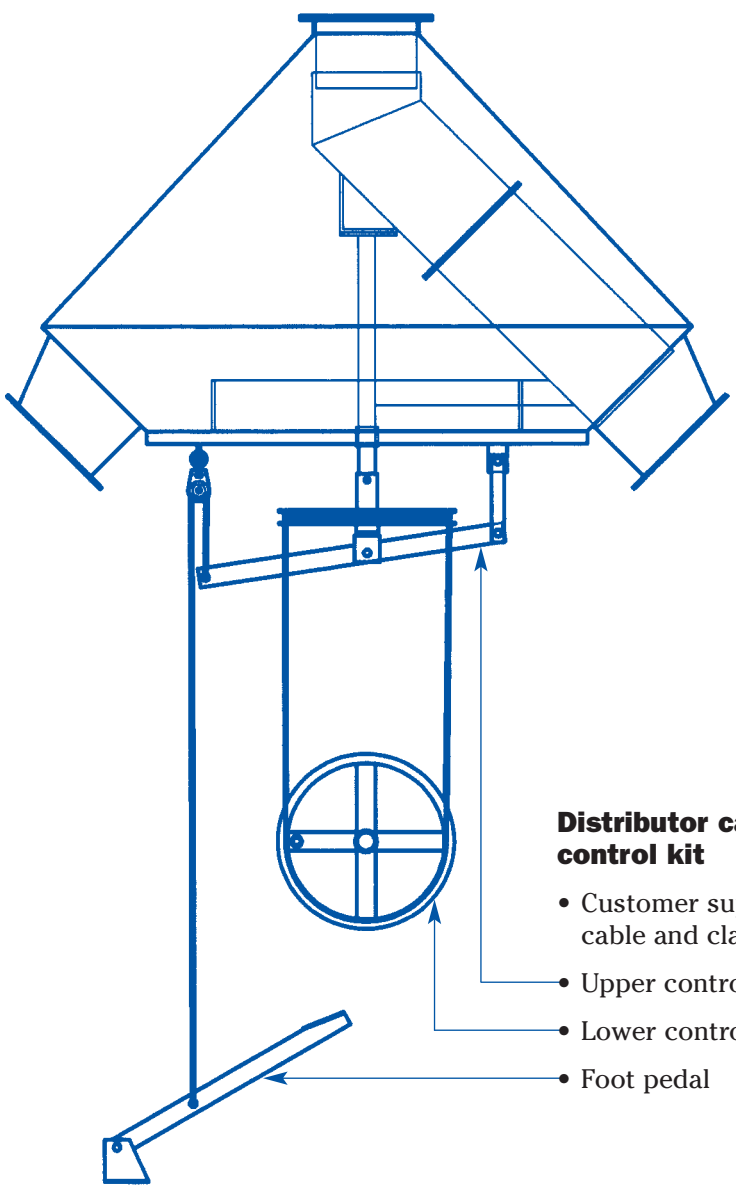


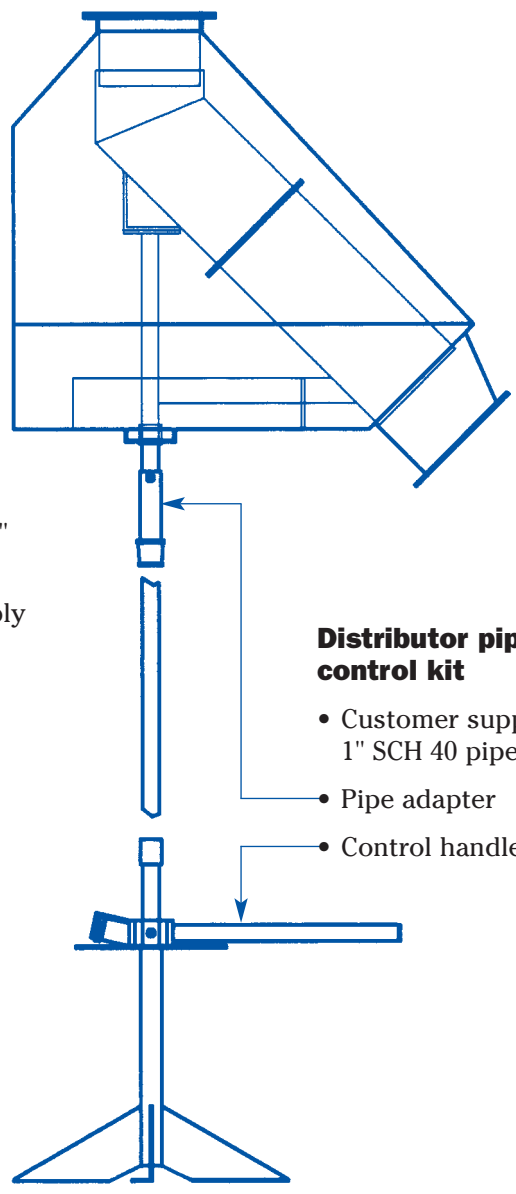


MANUAL CONTROLS



Distributor cable control kit

- Customer supplies $\frac{3}{16}$ " cable and clamps
- Upper control assembly
- Lower control wheel
- Foot pedal



Distributor pipe control kit

- Customer supplies 1" SCH 40 pipe
- Pipe adapter
- Control handle